

# Power supply unit AN450



# Power supply unit AN450



AN450

## Product description

The power supply unit AN450 is designed to supply Bender devices with a supply voltage of AC 20 V and a total power consumption of maximum 9 VA.

A maximum of 3 alarm indicator and test combinations MK2430/MK800 can be supplied, for example.

## Function

The supply voltage will be connected to the terminals A1/A2. The output voltage AC 20 V is available across the terminals U2/V2. The unit features two input and output terminals, so that several AN450 can be connected in parallel, if required. The terminals A1/A2 and U2/V2 must not be interchanged.

The secondary circuit of the built-in safety transformer is protected by a PTC resistor.

## Details about the cable length

The maximum number of devices that can be connected depends upon the loss of voltage in the line between AN450 and the device.

Please take the note of supply voltage ranges as well as the tolerance of the system voltage:

In case of long cables, check the value of the supply voltage across the terminals of the connected device. If the loss of voltage in the line is too great, a point-to-point connection is recommended.

## Standards

The ISOMETER® of the AN450 series complies with the requirements of the device standards: IEC 61558-2-6.

## Device features

- Power supply unit for the supply of Bender devices with AC 20 V and a power consumption of maximum 9 VA
- Supply of 3 MK2430/1 MK800 alarm indicator and test combinations (for example)
- Protected secondary circuit

## Approvals

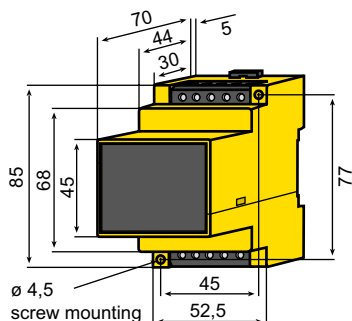


## Ordering information

Output voltage	Nominal voltage	Type	Art. No.
AC	AC		
20 V, 50...60 Hz	230 V, 50...60 Hz	AN450	B 924 201
	127 V, 50...60 Hz	AN450-133	B 924 203

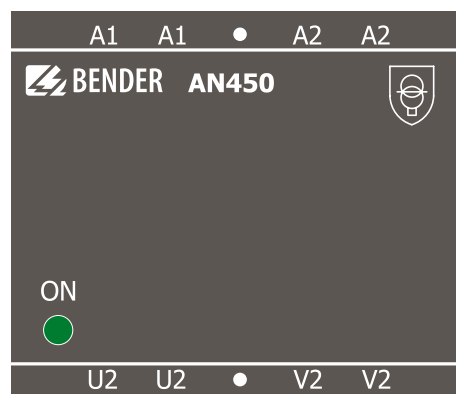
## Dimension diagram

Dimensions in mm

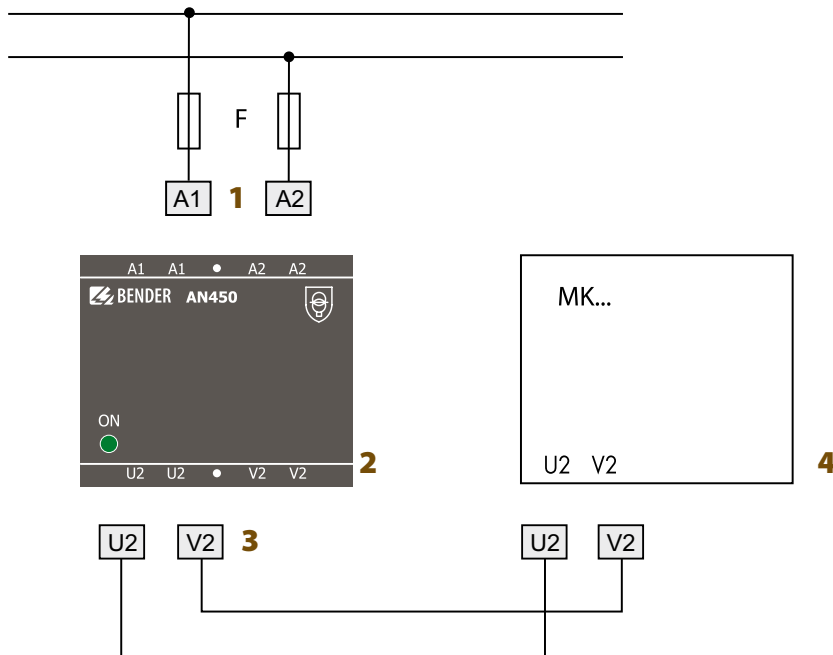


## Operating elements

Operation LED (green) "ON" lights, when the device is in operating state.



**Wiring diagram**



- 1 - A1, A2 = supply voltage  $U_S$ ;  
F = short circuit protection
- 2 - Power supply unit AN450
- 3 - U2, V2 = output voltage
- 4 - Alarm indicator and test combination

**Technical data**

**Insulation coordination acc. to IEC 60664-1**

Rated voltage	AC 250 V
Overtoltage category/pollution degree	III/2
Rated impulse voltage	4 kV
Altitude	≤ 2000 m NN

**Voltage ranges**

Nominal voltage	see ordering details
Frequency range	see ordering details
Operating range of rated voltage	0.85...1.1
Output voltage	AC 20 V, 50...60 Hz
Rated output Power	≤ 9 VA
Internal secondary protection	PTC resistor

**Environment/EMC**

EMC immunity	acc. to EN 61000-6-2
EMC emission	acc. to EN 61000-6-4

**Classification of climatic conditions acc. to IEC 60721**

Stationary use	3K5 (except condensation, water and formation of ice)
Transport	2K2
Storage	1K2
Operating temperature	- 10...+ 55 °C

**Classification of mechanical conditions acc. to IEC 60721**

Stationary use	3M4
Transport	2M2
Storage	1M3

**Connection**

Connection	screw terminals
Connection properties:	
rigid/flexible/Conductor sizes	0.2...4/0.2...2.5 mm <sup>2</sup> /AWG 24-12
Connection, flexible with connector sleeve	0.25...2 mm <sup>2</sup>
Stripping length	8 mm
Tightening torque, terminal screws	0.5 Nm

**Other**

Operating mode	continuous operation
Mounting	any position
Protection class internal components/terminals (DIN EN 60529)	IP30/IP20
Screw fixing	2 x M4
DIN rail mounting acc. to	DIN EN 60715/IEC 60715
Flammability class	UL94V-0
Standards	IEC 61558-2-6
Weight	≤ 400 g



**Bender GmbH & Co. KG**

P.O. Box 1161 • 35301 Gruenberg • Germany  
Londorfer Strasse 65 • 35305 Gruenberg • Germany  
Tel.: +49 6401 807-0 • Fax: +49 6401 807-259  
E-Mail: [info@bender.de](mailto:info@bender.de) • [www.bender.de](http://www.bender.de)



**BENDER Group**